

T1 2:1 Ratio Transfer Pump

312766G
ENG

For use with polyurethane foam, polyurea, and solvent-borne and water-borne materials.
For professional use only.

Model 256200

55 Gallon (200 Liter) Drum Size

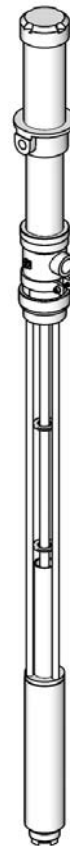
180 psi (1.2 MPa, 12 bar) Maximum Air Working Pressure

360 psi (2.5 MPa, 25 bar) Maximum Fluid Working Pressure



Important Safety Instructions

Read all warnings and instructions in this manual. Save these instructions.



ti11565a



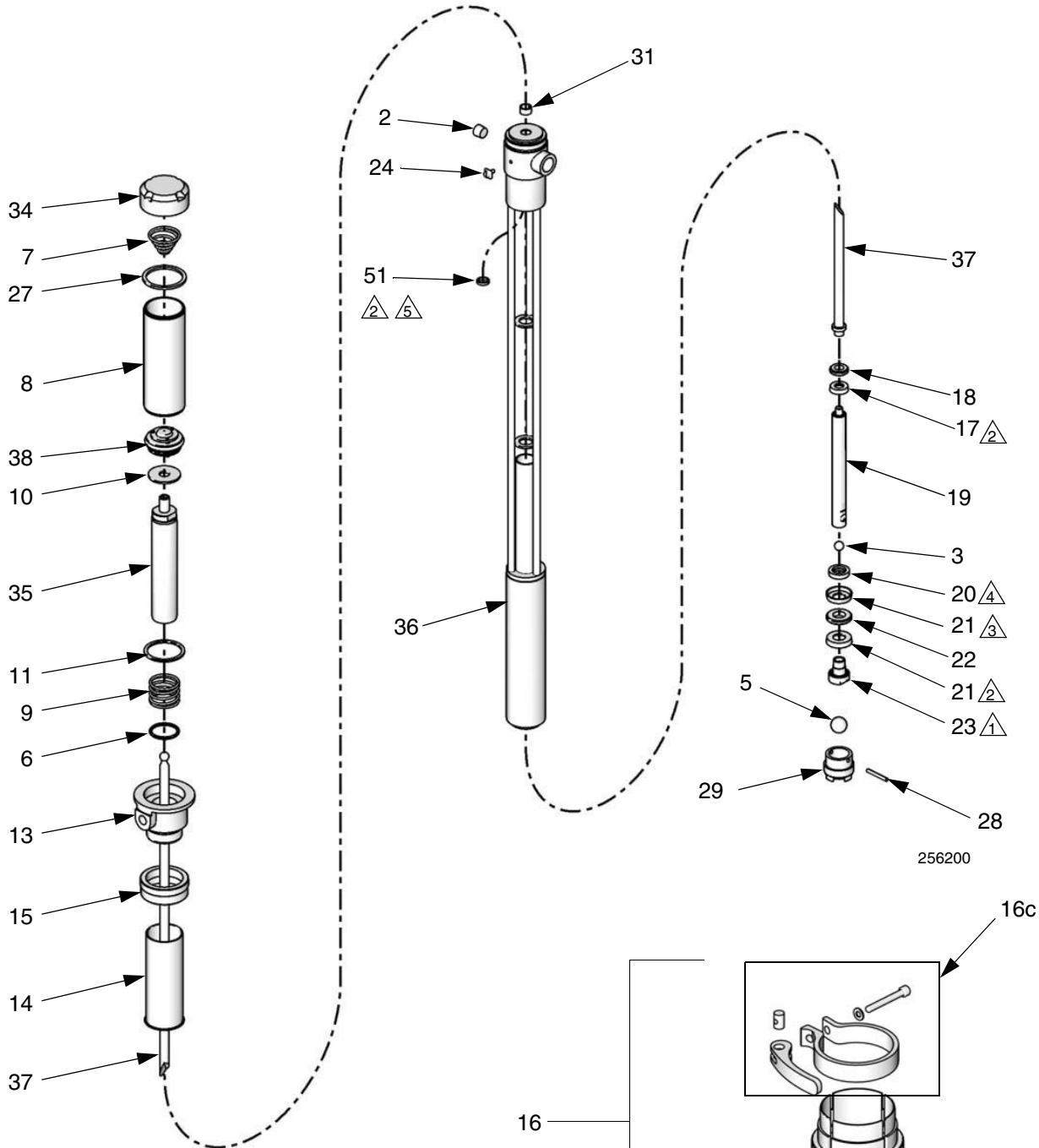
II 1/2 G T6
ITS03ATEX11227



H003

Parts

T1 2:1 Ratio Transfer Pump, 256200



- Torque to 30-35 ft-lb (41-48 N•m)
- Lips face down
- Lips face up
- Grooves face down
- Use assembly tool 233582

T1 2:1 Ratio Transfer Pump, 256200

Ref.	Part	Description	Qty.	Ref.	Part	Description	Qty.
2	101748	PLUG, pipe; SST	1	24	116343	SCREW, ground	1
3♦	101750	BALL, bearing, upper	1	25*	15K008	LABEL, ID	1
5♦	101917	BALL, bearing, lower	1	27†	162989	GASKET	1
6†	156698	O-RING	1	28	164250	PIN, ball stop	1
7†	157630	SPRING, compression, tapered	1	29	164251	HOUSING, valve, intake	1
8	157632	CYLINDER, air	1	31♦	166564	BEARING, connecting rod	1
9†	157633	SPRING, compression	1	34	256429	CAP, cylinder, air	1
10	157872	WASHER, valve	1	35	204723	ROD, piston	1
11†	158109	GASKET	1	36	256430	FRAME, pump	1
13	161770	BASE, motor, air	1	37	256431	ROD, pump, connector	1
14	161771	HOUSING, connecting rod	1	38†	220168	PISTON, valve, air	1
15	161772	RING, connecting	1	39	172479	TAG, instruction	1
16	253146	ADAPTER, bung; SST (includes 16a-16g)	1	51♦	111791	SEAL	1
16a♦	120207	O-RING; inner	1	54*	206264	VALVE, needle	1
16b	15H196	ADAPTER	1	55*	169969	FITTING, line, air	1
16c	234188	CLAMP, hopper	1	56*	114558	COUPLER, line, air	1
16d♦	120998	O-RING; O.D.	1				
17♦	161788	PACKING, cup; upper piston	1				
18♦	16C799	BEARING, piston, upper	1				
19	256432	ROD, piston, fluid	1				
20	161792	RING, back-up	1				
21♦	161793	SEAL, piston, lower	2				
22♦	186648	BEARING, piston, lower	1				
23	161795	PISTON	1				

Complete T1 pump repair kit 247967 contains repair kits 247958 and 247959.

† Parts included in repair kit 247958.

♦ Parts included in repair kit 247959.

* Indicates parts not shown (shipped loose).