

249421 Stud Wall Foam Kit 24C358 TP100 Kit

For Fusion™ Air Purge Spray Guns



Important Safety Instructions

Read all warnings and instructions in manual 309550. Save these instructions.

311071C

To spray wall insulation foam into stud walls with a single pass.

249421, Stud Wall Foam Kit (shown)

24C358, TP100 Kit (not shown)

249421, Stud Wall Foam Kit (shown)				24C358, TP100 Kit (not shown)			
Ref No	Part No	Description	Qty	Ref No	Part No	Description	Qty
1	15F240	ADAPTER, stud wall	1	1	15F240	ADAPTER, stud wall	1
2	15F854	PACKING, tip; stud wall	1	2	16A564	PACKING, tip; stud wall	1
3	15F241	CAP, air; stud wall	1	3	15F241	CAP, air; stud wall	1
4	FTM979	TIP, flat; stud wall	1	4	296348	TIP, TP100	1

⚠ Use with flat pattern mix chambers only. Order separately.

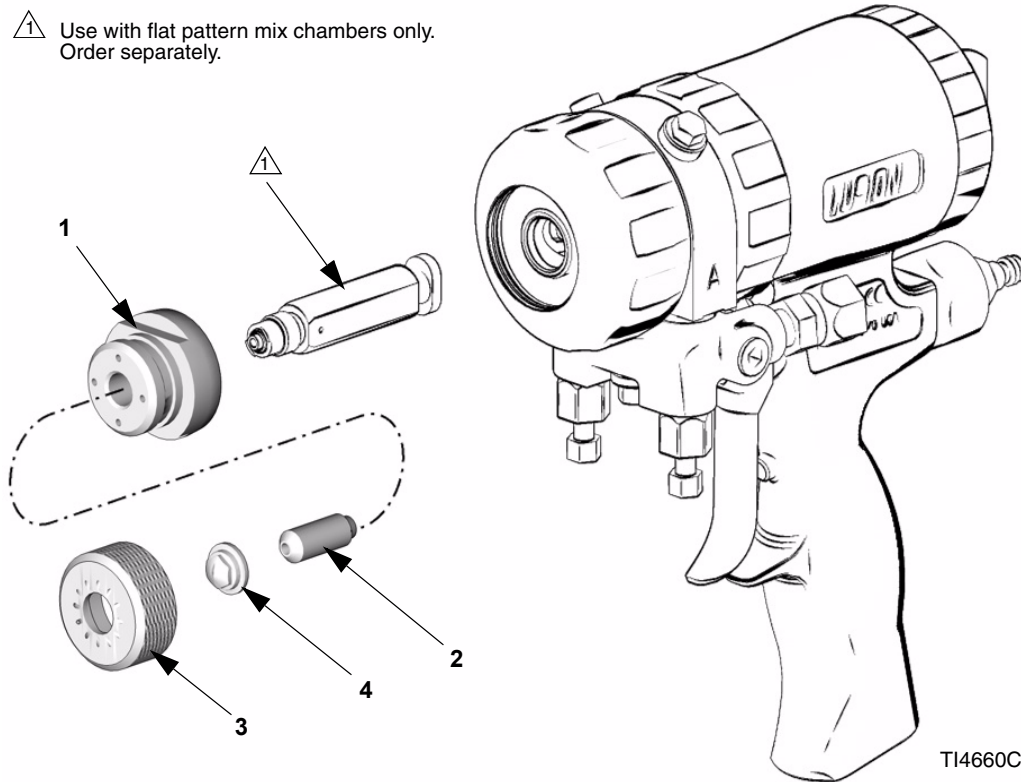


FIG. 1

Installation

- This kit will not work with round mix chambers (i.e. ARXXXX). If there is a round mix chamber in the gun, replace it with a flat mix chamber. Smaller flat mix chambers can be ordered for lower fluid flow applications. See Flat Mix Chamber Kit chart.

Flat Mix Chamber Kit*	Type	Flow Rate (approx.) at 1000 psi (7.0 MPa, 70 bar)
AF5252	Standard	15 lb/min (6.81 kg/min)
AF4242	Standard	11 lb/min (4.99 kg/min)
AF2929	Standard	7 lb/min (3.18 kg/min)

* Includes mix chamber and cleanout tool.

- A FTM979 Stud Wall Tip is included in this kit. **NOTE:** FTM762 Stud Wall Tip is available for lower fluid flow applications as an accessory.

	FTM979 Stud Wall Tip	FTM762 Stud Wall Tip
Pattern size	22 in. (559 mm)	14 in. (355.6 mm)
Spray distance	2 ft. (0.61 m)	2 ft. (0.61 m)
Fluid flow‡	15 lb/min (6.81 kg/min)	13 lb/min (5.90 kg/min)

‡ When used with mix chamber AR5252 at 1000 psi (7.0 MPa, 70 bar).

- The small plastic o-ring on the end of the flat mix chamber must be removed.

- Remove the existing air cap (round or flat) from the Fusion Gun and replace it with the adapter (1). Thread the adapter onto the mix chamber until it bottoms out.
- Insert the packing (2) through the center of the adapter (1) with the stepped end facing the mix chamber.

- Place the stud wall tip (4) onto the packing (2) and tighten the air cap (3) with light hand force.

- Overtightening may distort the packing inside the mix chamber. Reopen the hole with the 0.94 in. (3/32 in., 2.39 mm) drill bit provided if necessary.
- Adjust the tip orientation with a standard 5/16 in. nut driver (provided with gun). See FIG. 2.

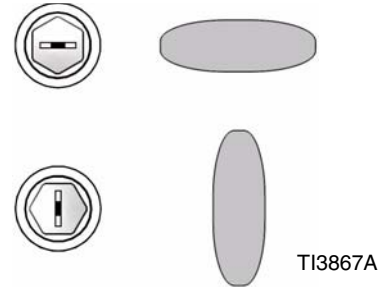


FIG. 2

Cleaning Tips

- If the pattern begins to shrink or becomes distorted, relieve pressure (see your gun manual) and clean the internal dome of the tip (4) with the tip cleanout tool (15D234). See FIG. 3.
- Clean out the inside diameter of the packing (2) and the flat mix chamber with a 0.94 in. (3/32 in, 2.39 mm) dia. drill bit (Graco cleanout tool kit 246624).
- Add a thin layer of lubricant on the outside faces of the air cap (3) to ease cleaning.



FIG. 3



WWW.DIAMONDLINERS.COM

Mailing Address

9507 Santa Fe Springs Road
Santa Fe Springs, CA 90670

Phone

(562) 781-1045 or (800) 543-1212

Fax

(562) 781-1045

Email

info@diamondliners.com