

Old Seal Kits

312348B

To replace proportioning pump piston seal sets or cylinder seal sets used on Gusmer and Old Graco H-25 and H-XP2 Hydraulic Proportioners.



Important Safety Instructions

Read all warnings and instructions in proportioning pump manual 311391. Save these instructions.


Piston Seal Kits, see page 2


Cylinder Seal Kits for A-Side Pumps, see page 2

Cylinder Seal Kits for B-Side Pumps, see page 4

Seal Kit Installation, see page 5

Piston Seal Kits for A-Side and B-Side Pumps

 Parts with a checkmark (✓) in the following table are included in the kits.

						
Before beginning, follow the Pressure Relief Procedure in proportioning pump manual 311391.						

Proportioning Pump Size	Kit Part No.	A (Piston Seal Wiper Ring)	B (Wear Ring)	C (Piston Seal Support)	D (Piston Seal)	E (Piston Support Washer)	Fig.
28	261756	✓		✓			2
40	261726	✓		✓			2
44	297845	✓	✓	✓	✓	297184	1
48	261729	✓		✓			2
60	261732	✓		✓			2
80	298013	✓		✓			2
96	297848	✓	✓	✓	✓	295279	1
104	261753	✓		✓			2
120	298011	✓		✓			2

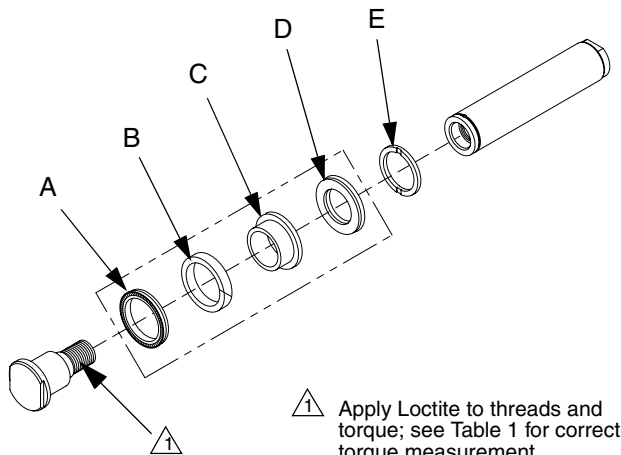


FIG. 1: Piston Seal Kit

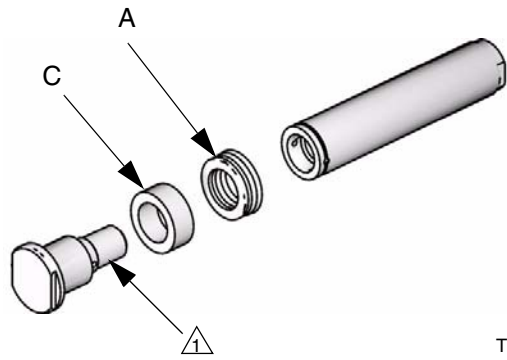
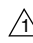




FIG. 2: Piston Seal Kit

 Apply Loctite to threads.

Cylinder Seal Kits for A-Side Pumps

 Parts with a checkmark (✓) in the following table are included in the kits.

						
Before beginning, follow the Pressure Relief Procedure in proportioning pump manual 311391.						

Proportioning Pump Size	Kit Part No.	A (Cylinder Seal)	C (Gasket)	D (Bearing)	* E (Outlet Flange)	* F (Retainer Flange)	* G (Adapter Ring)
40	261724	✓	✓	✓	295064	295159	295243
60	261730	✓	✓	✓	295066	295159	295244
80	261733	✓	✓	✓	296803	295159	295245
96	297871	✓	✓	✓	295069	295159	295247
104	261754	✓	✓	✓	295070	295159	295248
120	298010	✓	✓	✓	295072	295159	

* Not included in kit.

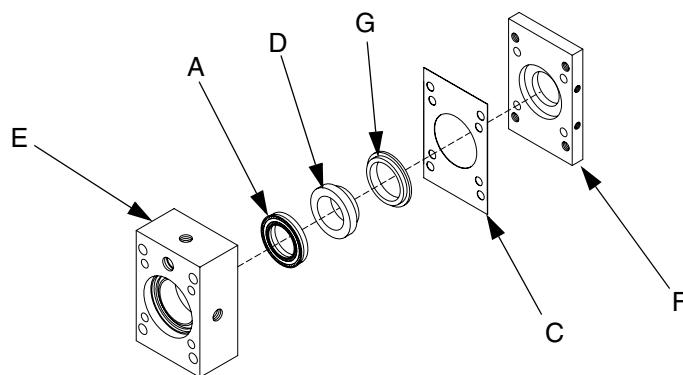




FIG. 3: Cylinder Seal Kit for A-Side Pumps

Cylinder Seal Kits for B-Side Pumps

 Parts with a checkmark (✓) in the following table are included in the kits.

						
Before beginning, follow the Pressure Relief Procedure in proportioning pump manual 311391.						

Proportioning Pump Size	Kit Part No.	A (Cylinder Seal)	B (Grease Bushing)	C (Gasket)	* E (Outlet Flange)	* F (Retainer Flange)
28	261757	✓	✓	✓	295142	295074
40	261725	✓	✓	✓	295064	295076
48	261728	✓	✓	✓	295065	295078
60	261731	✓	✓	✓	295066	295079
80	261734	✓	✓	✓	296803	295080
104	261755	✓	✓	✓	295070	295083
120	261735	✓	✓	✓	295072	295085

* Not included in kit.

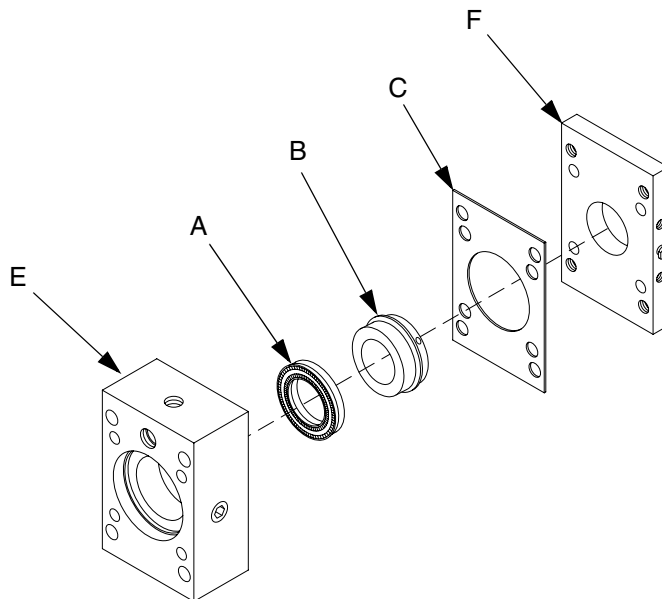


FIG. 4: Cylinder Seal Kit for B-Side Pumps

Piston Kit Installation

1. Install piston rod seal; ensure u-cup faces piston rod as shown in FIG. 5.



FIG. 5: U-Cup Orientation

2. Assemble piston head to piston rod. Apply Loctite to threads and torque piston head according to Table 1.

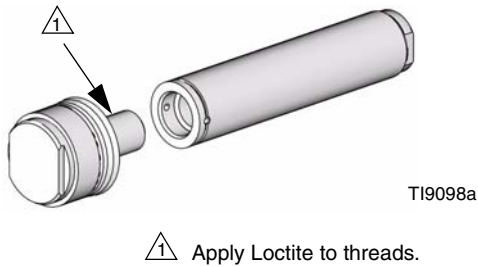


FIG. 6: Piston Head and Rod

Pump	Torque (ft-lbs)
28	10
40	22
44	22
48	22
60	38
80	38
96	38
104	38
120	55

Table 1: Torque Specification

3. Press throat seal into block using back plate and supplied screws. Ensure u-cup faces cylinder.

Assemble back plate with the small bore facing the seal.

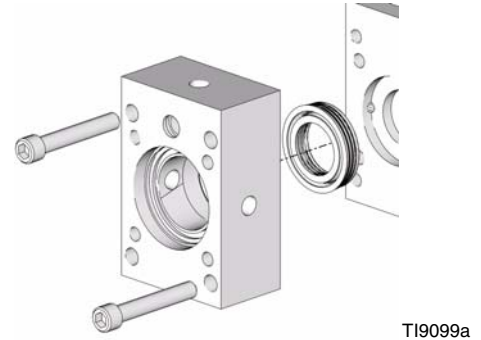


FIG. 7: Seal Orientation

4. Ensure plate is parallel with block. Carefully tighten screws until plate is flush with block. Be sure to press seal straight into bore.

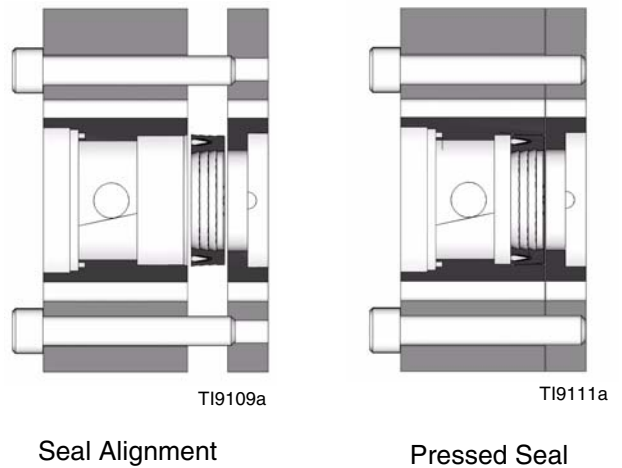


FIG. 8: Seal Alignment

- Softly tap seal into bore until it bottoms out.



FIG. 9: Tap Seal

- Insert bushing into bore; make sure larger outside diameter faces seal and smaller outside diameter faces plate.



FIG. 10: Insert Bushing

- Assemble gasket and back plate to block using supplied screws.

For A-side pumps that are 80 or smaller, a plate adapter is required.

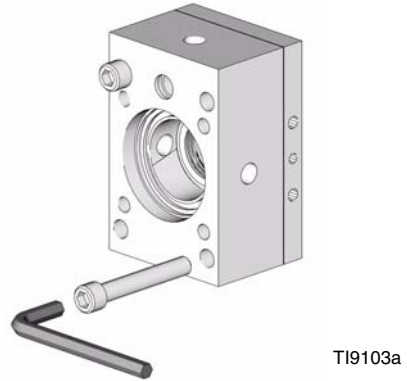


FIG. 11: Assemble Gasket and Back Plate

- Assemble throat seal installation tool on to end of piston rod.

Clevis end of piston rod may need to be removed to perform this step.

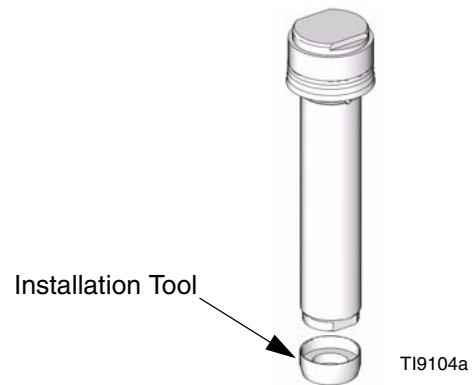


FIG. 12: Throat Seal Installation Tool

- Insert piston rod and seal tool through throat seal on front of block.

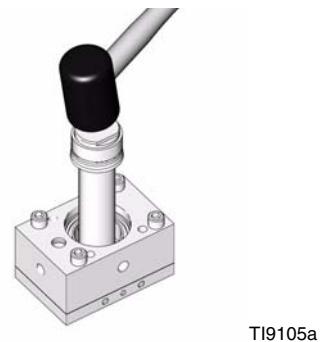
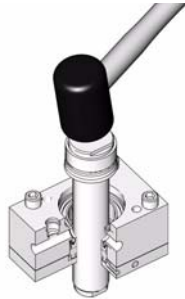


FIG. 13: Insert Rod through Throat Seal

- Place assembly on a spacer, such as a two inch wide roll of tape, and tap piston rod through throat seal and bearing.

CAUTION
Keep rod straight to prevent damage to throat seal.



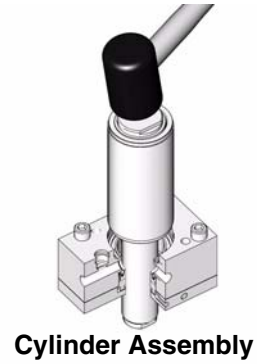
TI9106a

FIG. 14: Tap Piston Rod

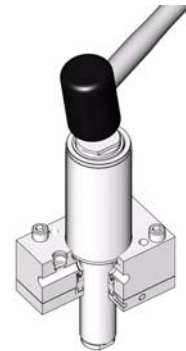
- Tap cylinder onto piston rod as shown in FIG. 15. Be careful to not score piston seal. Continue tapping cylinder until it seats in bore of block.



Use grease to aid in insertion of piston rod into cylinder.



TI9107a



TI9108a

FIG. 15: Tap Cylinder onto Piston Rod

- Once cylinder is seated in bore, remove two socket head set screws from block and plate assembly.
- Assemble cylinder and block assembly to remaining pump components. See Proportioning Pumps manual 311391 for instructions.

Graco Standard Warranty

Graco warrants all equipment referenced in this document which is manufactured by Graco and bearing its name to be free from defects in material and workmanship on the date of sale to the original purchaser for use. With the exception of any special, extended, or limited warranty published by Graco, Graco will, for a period of twelve months from the date of sale, repair or replace any part of the equipment determined by Graco to be defective. This warranty applies only when the equipment is installed, operated and maintained in accordance with Graco's written recommendations.

This warranty does not cover, and Graco shall not be liable for general wear and tear, or any malfunction, damage or wear caused by faulty installation, misapplication, abrasion, corrosion, inadequate or improper maintenance, negligence, accident, tampering, or substitution of non-Graco component parts. Nor shall Graco be liable for malfunction, damage or wear caused by the incompatibility of Graco equipment with structures, accessories, equipment or materials not supplied by Graco, or the improper design, manufacture, installation, operation or maintenance of structures, accessories, equipment or materials not supplied by Graco.

This warranty is conditioned upon the prepaid return of the equipment claimed to be defective to an authorized Graco distributor for verification of the claimed defect. If the claimed defect is verified, Graco will repair or replace free of charge any defective parts. The equipment will be returned to the original purchaser transportation prepaid. If inspection of the equipment does not disclose any defect in material or workmanship, repairs will be made at a reasonable charge, which charges may include the costs of parts, labor, and transportation.

THIS WARRANTY IS EXCLUSIVE, AND IS IN LIEU OF ANY OTHER WARRANTIES, EXPRESS OR IMPLIED, INCLUDING BUT NOT LIMITED TO WARRANTY OF MERCHANTABILITY OR WARRANTY OF FITNESS FOR A PARTICULAR PURPOSE.

Graco's sole obligation and buyer's sole remedy for any breach of warranty shall be as set forth above. The buyer agrees that no other remedy (including, but not limited to, incidental or consequential damages for lost profits, lost sales, injury to person or property, or any other incidental or consequential loss) shall be available. Any action for breach of warranty must be brought within two (2) years of the date of sale.

GRACO MAKES NO WARRANTY, AND DISCLAIMS ALL IMPLIED WARRANTIES OF MERCHANTABILITY AND FITNESS FOR A PARTICULAR PURPOSE, IN CONNECTION WITH ACCESSORIES, EQUIPMENT, MATERIALS OR COMPONENTS SOLD BUT NOT MANUFACTURED BY GRACO. These items sold, but not manufactured by Graco (such as electric motors, switches, hose, etc.), are subject to the warranty, if any, of their manufacturer. Graco will provide purchaser with reasonable assistance in making any claim for breach of these warranties.

In no event will Graco be liable for indirect, incidental, special or consequential damages resulting from Graco supplying equipment hereunder, or the furnishing, performance, or use of any products or other goods sold hereto, whether due to a breach of contract, breach of warranty, the negligence of Graco, or otherwise.

FOR GRACO CANADA CUSTOMERS

The Parties acknowledge that they have required that the present document, as well as all documents, notices and legal proceedings entered into, given or instituted pursuant hereto or relating directly or indirectly hereto, be drawn up in English. Les parties reconnaissent avoir convenu que la rédaction du présente document sera en Anglais, ainsi que tous documents, avis et procédures judiciaires exécutés, donnés ou intentés, à la suite de ou en rapport, directement ou indirectement, avec les procédures concernées.

Graco Information

TO PLACE AN ORDER, contact your Graco distributor or call to identify the nearest distributor.

Phone: 612-623-6921 **or Toll Free:** 1-800-328-0211 **Fax:** 612-378-3505

*All written and visual data contained in this document reflects the latest product information available at the time of publication.
Graco reserves the right to make changes at any time without notice.*

This manual contains English. MM 312348

Graco Headquarters: Minneapolis
International Offices: Belgium, China, Japan, Korea

GRACO INC. P.O. BOX 1441 MINNEAPOLIS, MN 55440-1441

Copyright 2007, Graco Inc. is registered to I.S. EN ISO 9001

www.graco.com
Revised 7/2008