

P2 Chopper Mounting Kit

3A3160A

EN

For use with Probler® P2 Elite Dispense Gun and RS™ Gun Cutter. For professional use only.

Kit No. GC0721

80-110 psi (0.55-0.76 MPa, 6.2-7.6 bar) Inlet Air Pressure



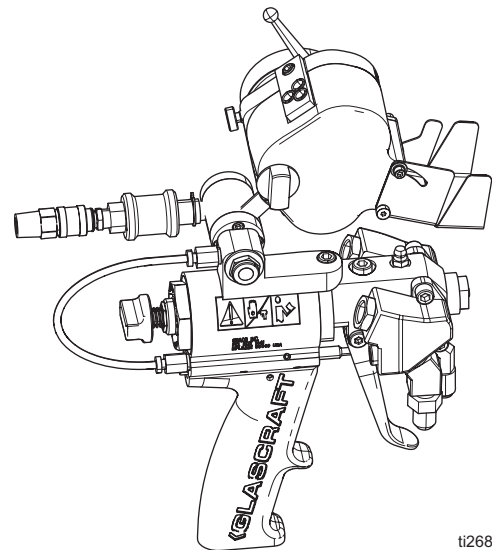
Important Safety Instructions

Read all warnings and instructions in this manual and in the gun manual. Save all instructions.

Related Manuals

The following list of component manuals written in English. These manuals and any available translated versions can be found at www.graco.com.

Part	Description
313266	Probler P2 Elite Dispense Gun
332574	RS Gun Cutter Assemblies



ti26811a

Installation

1. Ensure all air and fluid pressure is relieved. Follow Pressure Relief Procedure in gun manual.
2. Remove set screw from rear of gun (right-hand side) and install fitting (2).

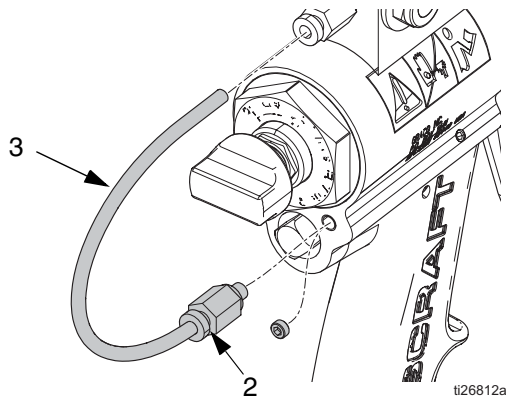
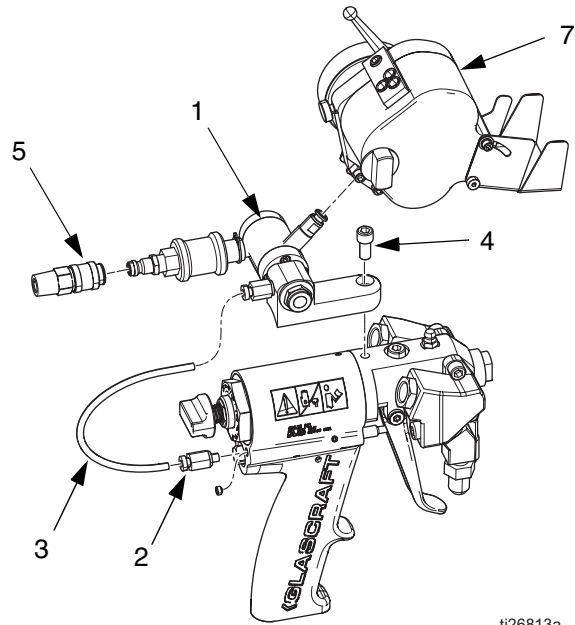


Fig. 1

3. Mount module (1) to gun using screw (2).
4. Attach chopper (7) to stem of module (1).
5. Connect air hose to fitting (5).
6. Connect air line (3) to module (1).
7. See chopper manual 332574 for detailed operation instructions.

Parts



Ref.	Part	Description	Qty.
1	---	MODULE, mount, chopper	1
2	GC0500	FITTING, 5/32 OD tube	1
3	---	TUBE, 5/32 OD	1
4	GC2248	SCREW, shdc, ss, 1/4-20 x 1/2	1
5	117510	FITTING, line, air, 1/4	1
6*	GCP3RA	GUN, Probler P2 Elite	1
7*	24E512	KIT, chopper, cutter assembly	1

* Parts not included in Kit GC0721 (purchase separately).

Graco Information

For the latest information about Graco products, visit www.graco.com.

For patent information, see www.graco.com/patents.

TO PLACE AN ORDER, contact your Graco distributor or call to identify the nearest distributor.
Phone: 612-623-6921 or Toll Free: 1-800-328-0211 Fax: 612-378-3505

All written and visual data contained in this document reflects the latest product information available at the time of publication. Graco reserves the right to make changes at any time without notice.

Original instructions. This manual contains English. MM 3A3160

Graco Headquarters: Minneapolis

International Offices: Belgium, China, Japan, Korea

GRACO INC. AND SUBSIDIARIES • P.O. BOX 1441 • MINNEAPOLIS MN 55440-1441 • USA
Copyright 2015, Graco Inc. All Graco manufacturing locations are registered to ISO 9001.

www.graco.com

Revision A, July 2015