

# Solvent Flush Kits

309963J

EN

***For use with Fusion™ and Fusion™ CS Spray Guns (not included). For professional use only.***

**Models 248139 and 256510**

1 quart (0.95 liter) Solvent Cup  
120 psi (0.8 MPa, 8.0 bar) Maximum Fluid Working Pressure

**Model 248229**

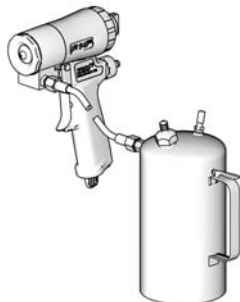
5 gallon (19 liter) Pail with Husky™ 307 Diaphragm Pump  
100 psi (0.7 MPa, 7.0 bar) Maximum Fluid Working Pressure



**Important Safety Instructions**

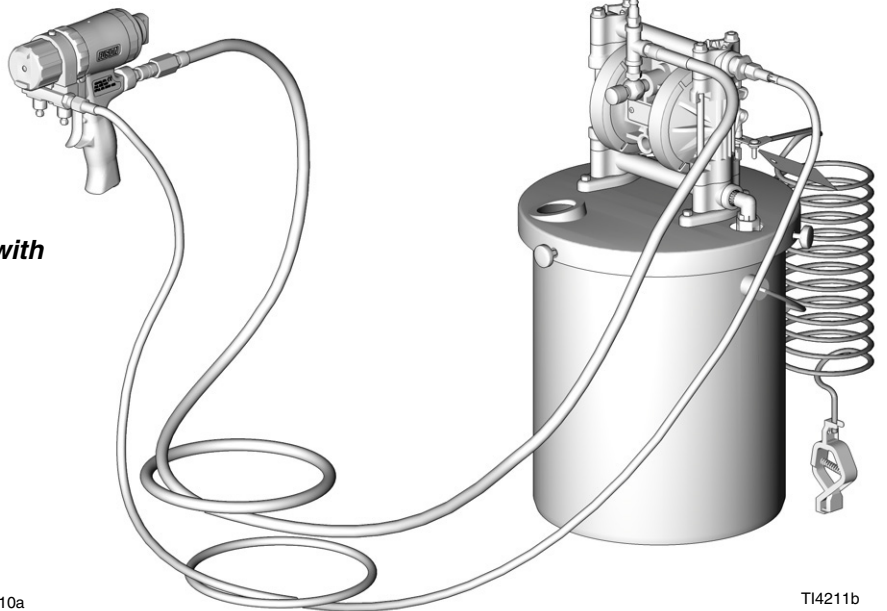
Read all warnings and instructions in this manual. Save these instructions.

***Model 256510 Kit, shown with Fusion ClearShot Gun***



T112110a








***Model 248229 Kit, shown with Fusion Mechanical Purge Gun***






T14211b



# Contents

<b>Grounding</b> .....	<b>3</b>	<b>Pressure Relief Procedures</b> .....	<b>10</b>
<b>Setup</b> .....	<b>4</b>	Relieve Pressure in Gun .....	10
248139 and 256510 Solvent Flush Kits .....	4	Relieve Solvent Container Air Pressure (Models 248139 and 256510) .....	11
248229 Pail Kit .....	5	Relieve Pump Air Pressure (Model 248229) . . .	11
<b>Operation</b> .....	<b>6</b>	<b>Parts</b> .....	<b>12</b>
248139 and 256510 Solvent Flush Kits .....	6	Models 248139 and 256510 .....	12
248229 Pail Kit .....	8	Part 248229 .....	13
		<b>Technical Data</b> .....	<b>15</b>
		<b>Graco Standard Warranty</b> .....	<b>16</b>
		<b>Graco Information</b> .....	<b>16</b>

 <b>WARNING</b>	
 	<p><b>PERSONAL PROTECTIVE EQUIPMENT</b></p> <p>You must wear appropriate protective equipment when operating, servicing, or when in the operating area of the equipment to help protect you from serious injury, including eye injury, inhalation of toxic fumes, burns, and hearing loss. This equipment includes but is not limited to:</p> <ul style="list-style-type: none"> <li>• Protective eyewear</li> <li>• Clothing and respirator as recommended by the fluid and solvent manufacturer</li> <li>• Gloves</li> <li>• Hearing protection</li> </ul>
	<p><b>TOXIC FLUID OR FUMES HAZARD</b></p> <p>Toxic fluids or fumes can cause serious injury or death if splashed in the eyes or on skin, inhaled, or swallowed.</p> <ul style="list-style-type: none"> <li>• Read MSDS to know the specific hazards of the fluids you are using.</li> <li>• Store hazardous fluid in approved containers, and dispose of it according to applicable guidelines.</li> </ul>
 	<p><b>SKIN INJECTION HAZARD</b></p> <p>High-pressure fluid from gun, hose leaks, or ruptured components will pierce skin. This may look like just a cut, but it is a serious injury that can result in amputation. <b>Get immediate surgical treatment.</b></p> <ul style="list-style-type: none"> <li>• Do not point gun at anyone or at any part of the body.</li> <li>• Do not put your hand over the spray tip.</li> <li>• Do not stop or deflect leaks with your hand, body, glove, or rag.</li> <li>• Do not spray without tip guard and trigger guard installed.</li> <li>• Engage trigger lock when not spraying.</li> <li>• Follow <b>Pressure Relief Procedure</b> in this manual, when you stop spraying and before cleaning, checking, or servicing equipment.</li> </ul>
	<p><b>FIRE AND EXPLOSION HAZARD</b></p> <p>Flammable fumes, such as solvent, in work area can ignite or explode. To help prevent fire and explosion:</p> <ul style="list-style-type: none"> <li>• Keep work area free of debris, including solvent, rags and gasoline.</li> <li>• Ground equipment in the work area. See <b>Grounding</b> instructions.</li> <li>• If there is static sparking or you feel a shock, <b>stop operation immediately</b>. Do not use equipment until you identify and correct the problem.</li> </ul>

 <b>WARNING</b>	
	<p><b>EQUIPMENT MISUSE HAZARD</b></p> <p>Misuse can cause death or serious injury.</p> <ul style="list-style-type: none"> <li>• Do not exceed the maximum working pressure or temperature rating of the lowest rated system component. See <b>Technical Data</b> in all equipment manuals.</li> <li>• Use fluids and solvents that are compatible with equipment wetted parts. See <b>Technical Data</b> in all equipment manuals. Read fluid and solvent manufacturer’s warnings.</li> <li>• Check equipment daily. Repair or replace worn or damaged parts immediately.</li> <li>• Do not alter or modify equipment.</li> <li>• For professional use only.</li> <li>• Use equipment only for its intended purpose. Call your Graco distributor for information.</li> <li>• Route hoses and cables away from traffic areas, sharp edges, moving parts, and hot surfaces.</li> <li>• Do not use hoses to pull equipment.</li> <li>• Keep children and animals away from work area.</li> <li>• Comply with all applicable safety regulations.</li> </ul>
	<p><b>PRESSURIZED ALUMINUM PARTS HAZARD</b></p> <p>Do not use 1,1,1-trichloroethane, methylene chloride, other halogenated hydrocarbon solvents or fluids containing such solvents in pressurized aluminum equipment. Such use can cause serious chemical reaction and equipment rupture, and result in death, serious injury, and property damage.</p>

## Grounding

						
Read warnings, page 2.						

Ground all solvent pails used when flushing, following your local code. Use only metal pails, which are conductive, placed on a grounded surface. Do not place pail on a nonconductive surface, such as paper or cardboard, which interrupts grounding continuity.

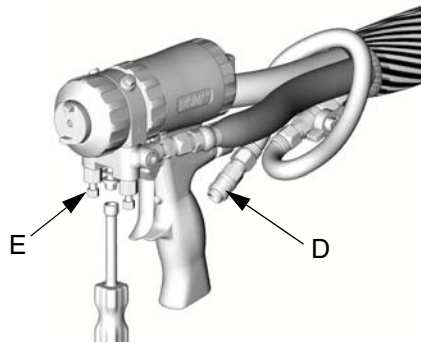
To maintain grounding continuity when flushing or relieving pressure, hold a metal part of spray gun firmly to the side of a grounded *metal* pail.

**On 248229 Pail Kit**, ground the Husky 307 Pump using the ground wire (4) supplied. See the pump instruction manual 308553, supplied. Connect the other end of the ground wire to a true earth ground.

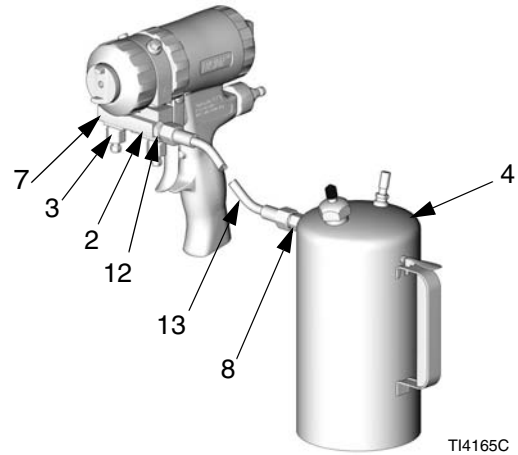
# Setup

## 248139 and 256510 Solvent Flush Kits

1. Relieve gun fluid pressure, page 10.
2. Disconnect gun air (D) and remove gun fluid manifold (E).



TI2554A



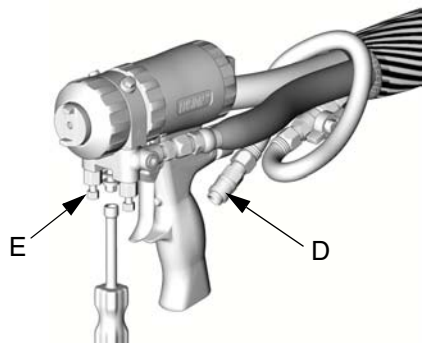
TI4165C

**FIG. 1. 248139 Kit and Fusion Air Purge Gun Shown**

3. See **Parts**, page 12. Assemble adapter (8) into container (4) using thread sealant.
4. Install both shutoff valves (3) in flush manifold (7). Torque to 32-40 ft-lbs (43-45 N•m)
5. Assemble nipple fitting (12) in flush manifold (7).
6. Assemble flush manifold to container (4) with fluid hose (13).
7. See FIG. 1. Attach flush manifold (7) to gun. Tighten bolt (2) securely.

## 248229 Pail Kit

1. Relieve gun fluid pressure, page 10.
2. Disconnect gun air (D) and remove gun fluid manifold (E).



TI2554A

3. Ground the pump, page 3.

4. See **Parts**, page 13. Assemble strainer (8) and fitting (7). Install suction tube (6) in fitting (7) and tighten nut to secure. Install other end of tube into elbow (5). Tighten nut to secure.
5. Install needle valve (12) into air inlet of pump (3). Install reducing nipple (14), tee (13), and air line fitting (15). Connect air hose (16) to tee (13). Install connector (17) and coupler (18) to other end of hose.
6. Install reducing nipple (20) in pump fluid outlet. Connect fluid hose (19) to nipple.
7. Install both shutoff valves (22) in flush manifold (21). Connect flush manifold to fluid hose (19) with reducing nipple (14).
8. Attach flush manifold (21) to gun. Tighten bolt (23) securely.


# Operation

## 248139 and 256510 Solvent Flush Kits

### Fill Container

<p>Read warnings, page 3. Do not use 1,1,1-trichloroethane, methylene chloride, other halogenated hydrocarbon solvents or fluids containing such solvents in pressurized aluminum equipment. Such use can cause serious chemical reaction and equipment rupture, and result in death, serious injury, and property damage.</p>						

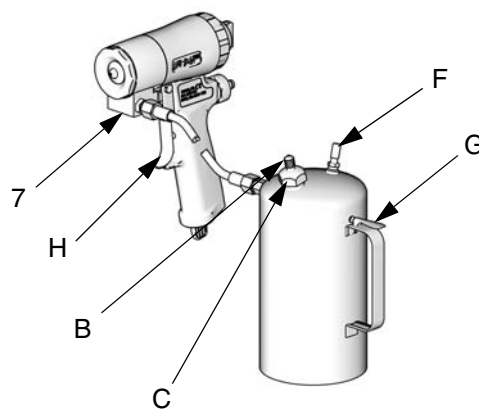
1. Relieve solvent container pressure, page 11.
2. See FIG. 2. Remove fill cap (C) from solvent container (4). Fill container 2/3 full with compatible solvent. Retighten fill cap snugly.

 At least 1/3 of the container must be empty so it can be pressurized with air.

### Flush Gun

<p>Read warnings, page 2. Do not overpressurize the container. The safety valve (F) will automatically open if pressure exceeds its factory-set level.</p> <p>Use air to pressurize the container. Do not use carbon dioxide or nitrogen.</p>						

1. Assemble air chuck assembly (1, 5, 6; see **Parts**, page 12). Attach a separate air hose and pressurize container through the air valve (B, FIG. 2). Do not exceed 120 psi (0.8 MPa, 8 bar) air pressure, or safety valve (F) will open.



TI12110a

**FIG. 2. 256510 Kit and Fusion CS Gun Shown**

2. Reconnect gun air hose.
3. Disengage safety lock.



TI2410A

4. Kit 258139 Only:  
Open one shutoff valve (3) and flush into a grounded metal pail, holding a metal part of the flush manifold firmly to side of pail. Close valve (3) and open other valve (3) and repeat. To release solvent, trigger (G) first then gun trigger (H), see FIG. 2.

5. Engage safety lock.



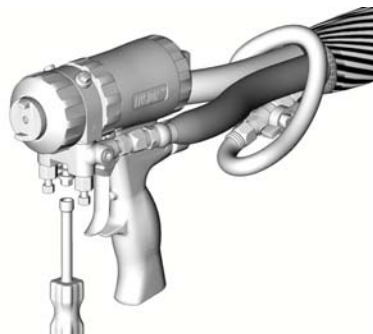
TI2409A

6. Relieve solvent container pressure, page 11.

7. Remove flush manifold (7).

8. Clean gun fluid manifold, see gun manual.

9. Attach fluid manifold.



TI2543A

## 248229 Pail Kit

1. See FIG. 3. Fill pail with compatible solvent. Secure cover (2) with thumbscrews (9).
2. Connect main air hose to air line fitting (15). Open needle valve (12).
3. Connect air line coupler (18) to gun air inlet fitting.

4. Disengage safety lock.



TI2410A

5. Adjust pump pressure with needle valve (12) until solvent flows freely from gun.
6. Open one flush manifold valve (22) and flush into a grounded metal pail, holding a metal part of flush manifold firmly to side of pail. Flush for 5 sec. Close valve, open other valve, and repeat.
7. Close both flush manifold valves (22).

8. Relieve pressure in gun, page 10.

9. Engage safety lock.



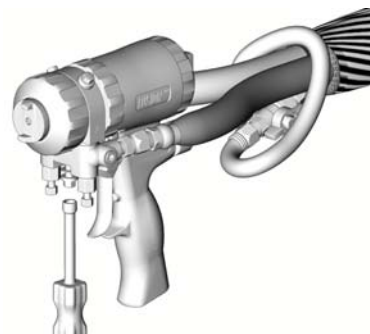
TI2409A

10. Relieve pump pressure, page 11.

11. Remove flush manifold (21) from gun.

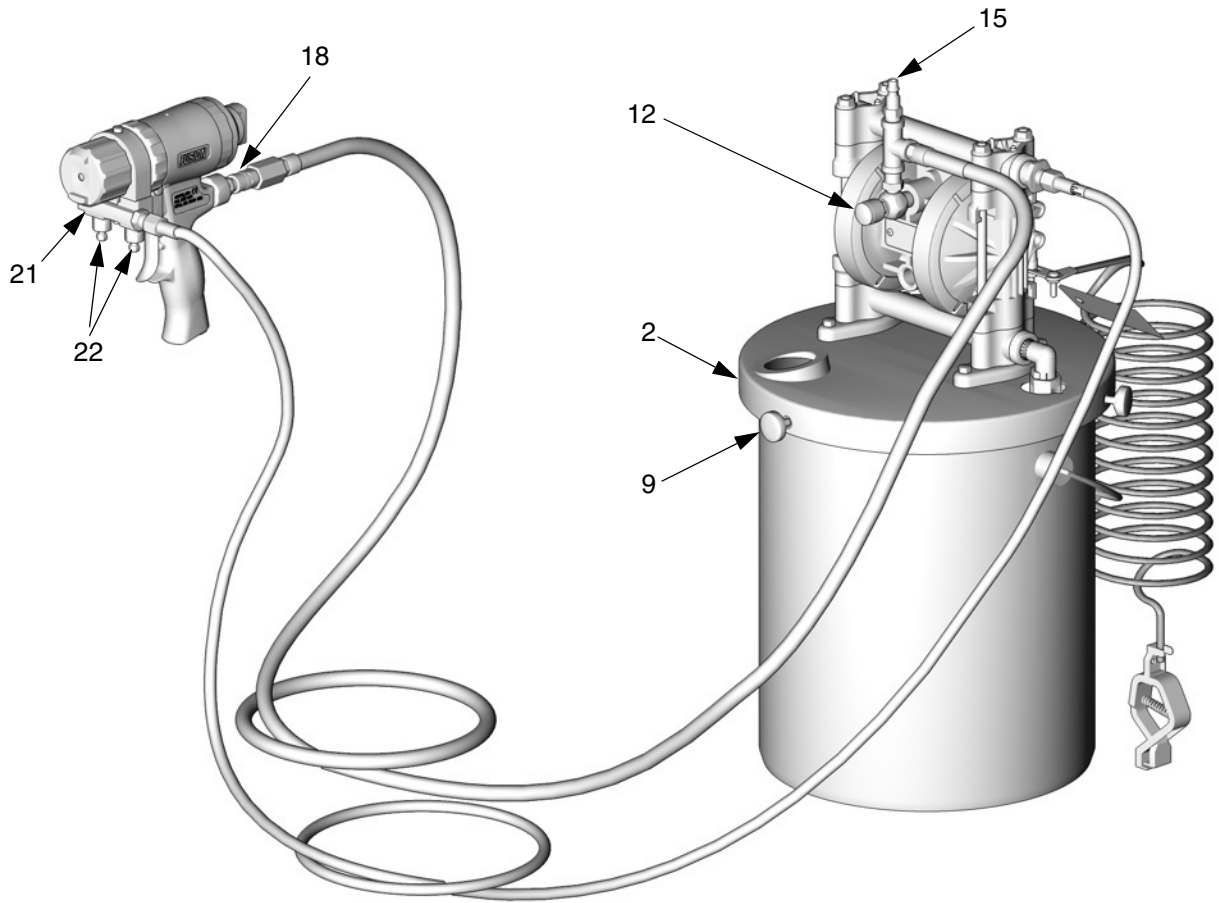
12. Clean gun fluid manifold, see gun manual.

13. Attach fluid manifold.



TI2543A





TI4211b

**FIG. 3. 248229 Pail Kit with Fusion Mechanical Purge Gun Shown**

# Pressure Relief Procedures

## Relieve Pressure in Gun

Read warnings, page 2. Relieve pressure before cleaning or repairing gun.						

1. Engage safety lock.

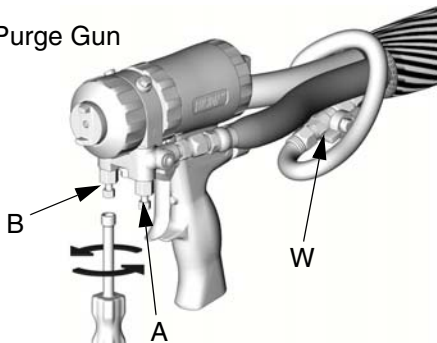


TI2409A

<b>CAUTION</b>
Air supply is required for gun actuation. Do not disconnect gun air supply until fluid pressure is relieved.

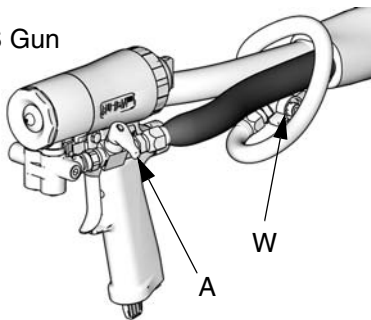
2. Close fluid valves A and B. Leave air valve (W) open.

Air Purge Gun



TI2421A

Fusion CS Gun



TI11331A

3. Disengage safety lock.



TI2410A

4. Trigger gun onto cardboard or into waste container to relieve pressure.



TI2645A

5. Engage safety lock.






TI2409A

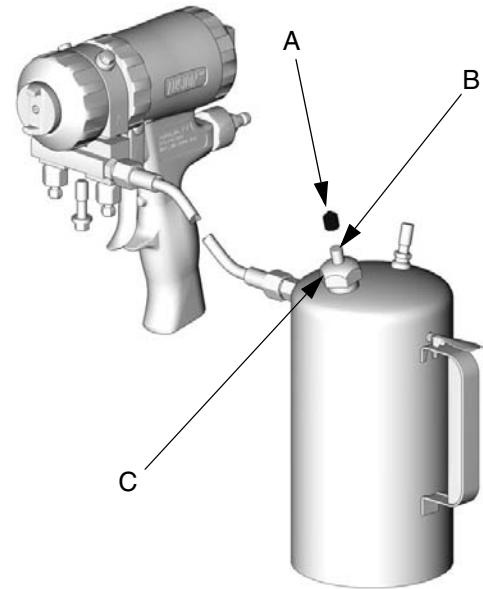
Fluid in the hose and proportioner is still under pressure. Follow the Pressure Relief Procedure in the proportioner manual.						

6. See **Relieve Solvent Container Air Pressure (Models 248139 and 256510)**, page 11.

## Relieve Solvent Container Air Pressure (Models 248139 and 256510)

						
Read warnings, page 2. Relieve pressure before cleaning or repairing container.						




1. Unscrew plastic cap (A) from air valve (B) in fill cap (C). See FIG. 4.
2. Depress valve stem (B) until you no longer hear air escaping.
3. Loosen fill cap (C) slightly to relieve any remaining air.
4. Remove fill cap (C) completely.



TI4164C

FIG. 4. Container Air Valve (Model 248139 Shown)

## Relieve Pump Air Pressure (Model 248229)

						
Read warnings, page 2. Relieve pressure before cleaning or repairing container.						

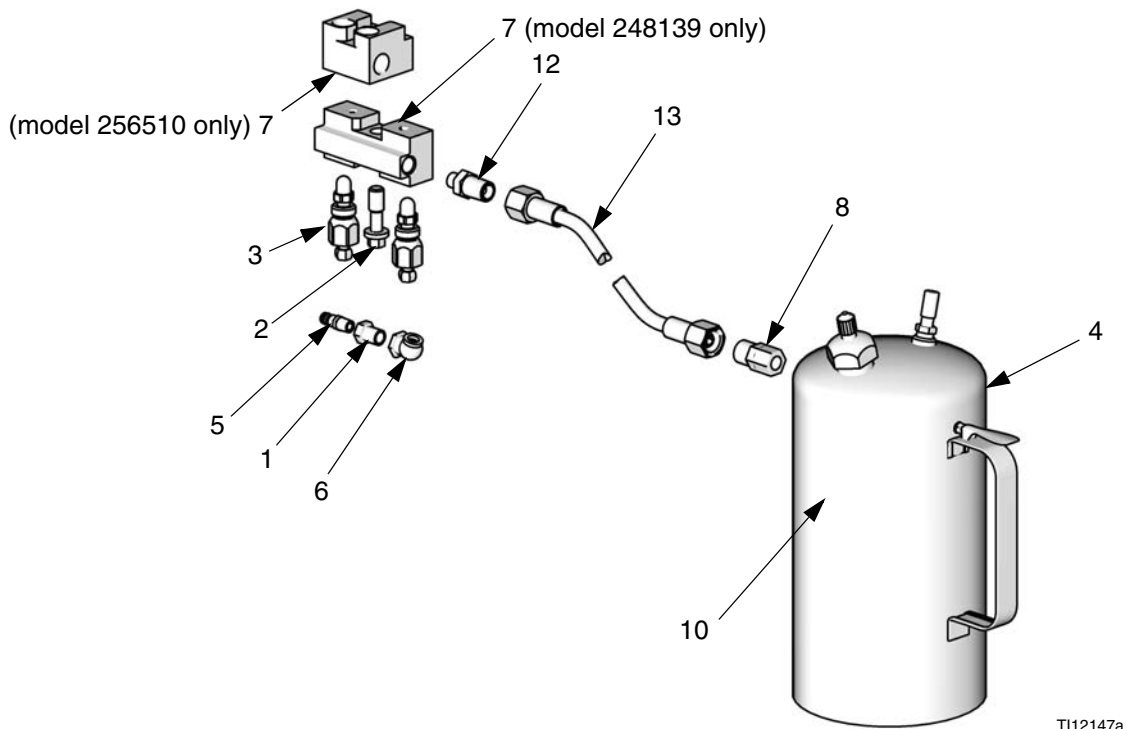
With needle valve (12) open, disconnect air supply from air line fitting (15). See FIG. 3, page 9.

# Parts

## Models 248139 and 256510

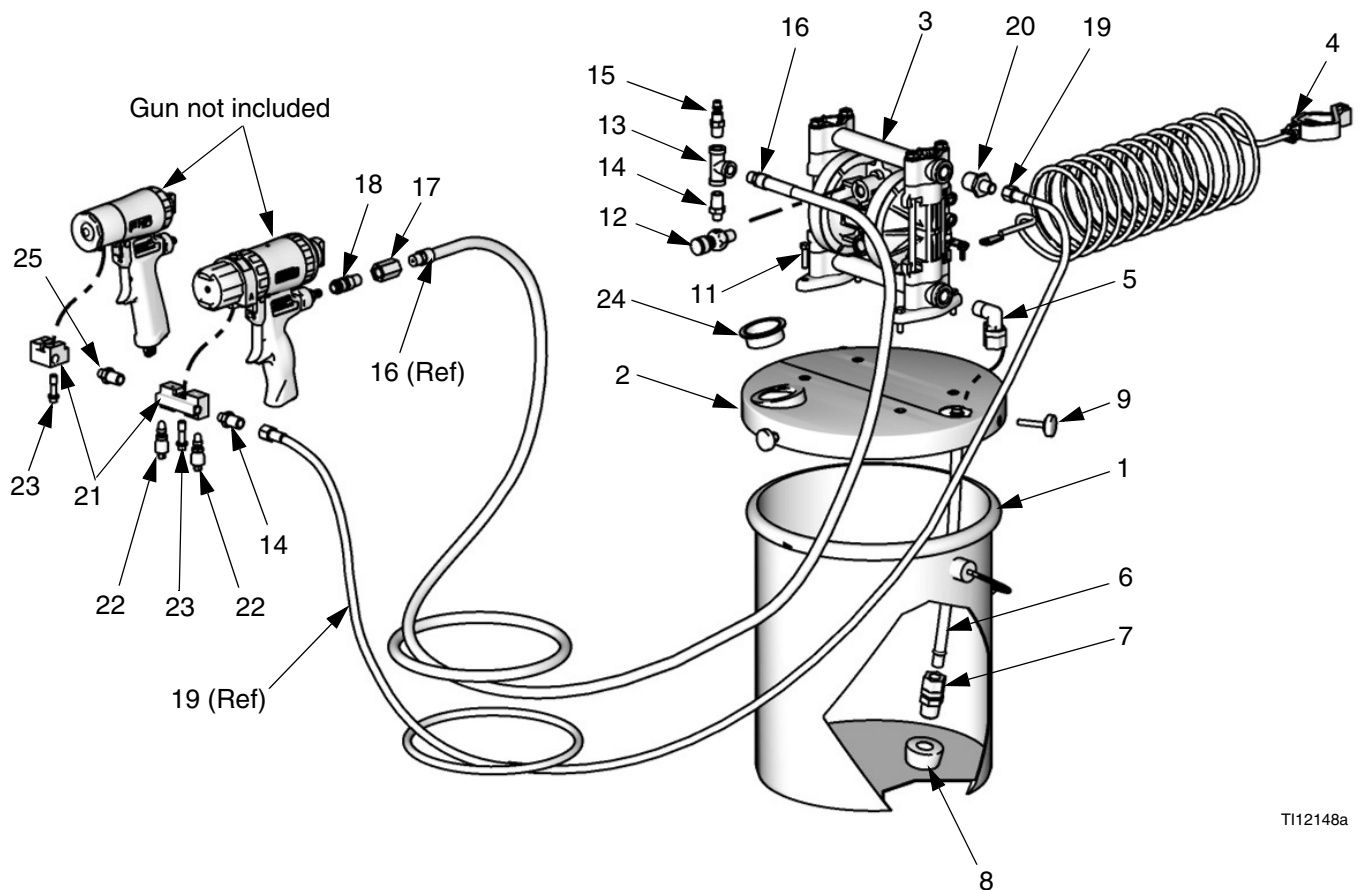
Ref.	Part	Description	Qty
1	100030	BUSHING; 1/8 npt(m) x 1/4 npt(f)	1
2	15B221	BOLT; 5/16-24	1
3	246356	VALVE, shutoff	2
4	108047	CONTAINER, solvent	1
5	108056	FITTING, air line, quick-disconnect	1
6	150136	CHUCK, air; 1/4 npt(f)	1
7		MANIFOLD, flush	1
	15D435	model 248139 only	
	15R906	model 256510 only	
8	180664	ADAPTER; 3/8 npt(f) x 1/4 npt (m)	1
10▲	180716	LABEL, warning	1
12		FITTING, nipple;	1
	191872	model 248139 only	
	162453	model 256510 only	
13	243803	HOSE, coupled; 3 ft long, 1/4 npt (f)	1

▲ Replacement Danger and Warning labels, tags, and cards are available at no cost.



# Part 248229

Ref.	Part	Description	Qty	Ref.	Part	Description	Qty
1	101108	PAIL, 5 gal. (19 l)	1	16	109126	HOSE, air; 1/4 npt(mbe); buna-N; 10 ft (3.05 m)	1
2	240212	COVER, pail	1	17	113093	CONNECTOR, pipe; 1/4 npt (fbe)	1
3	D31211	PUMP, diaphragm, Husky 307; see 308553	1	18	117510	COUPLER, air quick disconnect	1
4	244524	WIRE, ground	1	19	243804	HOSE, fluid; 1/4 npsm (fbe); nylon; 10 ft (3.05 m)	1
5	116315	ELBOW, compression, tube; 3/8 npt(m) x 1/2 in. (13 mm) OD tube	1	20	157350	ADAPTER; 3/8 npt x 1/4 npt	1
6	197971	TUBE, suction; 1/2 in. (13 mm) OD; polyethylene	1	21	15D435	MANIFOLD, flush used with Fusion air/mechanical purge guns only	1
7	116316	FITTING, compression, tube; 1/2 npt(m) x 1/2 in. (13 mm) OD tube	1		15R906	used with Fusion ClearShot guns only	
8	218798	STRAINER, fluid inlet	1	22	246356	VALVE, shutoff, manifold	2
9	114371	THUMBSCREW; 1/4-20	3	23	15B221	BOLT; 5/16-24	1
11	100021	SCREW, cap, hex hd; 1/4-20 x 1 in. (25 mm)	4	24	N/A	PLUG	1
12	206264	VALVE, needle, air	1	25	162453	FITTING, nipple; 1/4 npt(m) x 1/4 npsm (used with Fusion Clearshot manifold only)	1
13	104984	TEE, pipe; 1/4 npt(f)	1				
14	151519	NIPPLE, reducing; 1/4 npt x 1/8 npt	2				
15	169970	FITTING, air line	1				



T112148a



A series of 20 horizontal lines spanning the width of the page, providing a template for writing.

## Technical Data

Maximum Fluid Working Pressure

Model 248139: 120 psi (0.8 MPa, 8.0 bar)

Model 248229: 100 psi (0.7 MPa, 7.0 bar)

Model 256510: 100 psi (0.7 MPa, 7.0 bar)

Maximum Air Operating Pressure

Model 248139: 120 psi (0.8 MPa, 8.0 bar)

Model 248229: 100 psi (0.7 MPa, 7.0 bar)

Model 256510: 100 psi (0.7 MPa, 7.0 bar)

Wetted Parts

Model 248139: carbon steel, aluminum, brass

Models 248229 and 256510: carbon steel, stainless steel, aluminum, nylon, acetal, PTFE, polypropylene, polyethylene

# Graco Standard Warranty

Graco warrants all equipment referenced in this document which is manufactured by Graco and bearing its name to be free from defects in material and workmanship on the date of sale to the original purchaser for use. With the exception of any special, extended, or limited warranty published by Graco, Graco will, for a period of twelve months from the date of sale, repair or replace any part of the equipment determined by Graco to be defective. This warranty applies only when the equipment is installed, operated and maintained in accordance with Graco's written recommendations.

This warranty does not cover, and Graco shall not be liable for general wear and tear, or any malfunction, damage or wear caused by faulty installation, misapplication, abrasion, corrosion, inadequate or improper maintenance, negligence, accident, tampering, or substitution of non-Graco component parts. Nor shall Graco be liable for malfunction, damage or wear caused by the incompatibility of Graco equipment with structures, accessories, equipment or materials not supplied by Graco, or the improper design, manufacture, installation, operation or maintenance of structures, accessories, equipment or materials not supplied by Graco.

This warranty is conditioned upon the prepaid return of the equipment claimed to be defective to an authorized Graco distributor for verification of the claimed defect. If the claimed defect is verified, Graco will repair or replace free of charge any defective parts. The equipment will be returned to the original purchaser transportation prepaid. If inspection of the equipment does not disclose any defect in material or workmanship, repairs will be made at a reasonable charge, which charges may include the costs of parts, labor, and transportation.

**THIS WARRANTY IS EXCLUSIVE, AND IS IN LIEU OF ANY OTHER WARRANTIES, EXPRESS OR IMPLIED, INCLUDING BUT NOT LIMITED TO WARRANTY OF MERCHANTABILITY OR WARRANTY OF FITNESS FOR A PARTICULAR PURPOSE.**

Graco's sole obligation and buyer's sole remedy for any breach of warranty shall be as set forth above. The buyer agrees that no other remedy (including, but not limited to, incidental or consequential damages for lost profits, lost sales, injury to person or property, or any other incidental or consequential loss) shall be available. Any action for breach of warranty must be brought within two (2) years of the date of sale.

**GRACO MAKES NO WARRANTY, AND DISCLAIMS ALL IMPLIED WARRANTIES OF MERCHANTABILITY AND FITNESS FOR A PARTICULAR PURPOSE, IN CONNECTION WITH ACCESSORIES, EQUIPMENT, MATERIALS OR COMPONENTS SOLD BUT NOT MANUFACTURED BY GRACO.** These items sold, but not manufactured by Graco (such as electric motors, switches, hose, etc.), are subject to the warranty, if any, of their manufacturer. Graco will provide purchaser with reasonable assistance in making any claim for breach of these warranties.

In no event will Graco be liable for indirect, incidental, special or consequential damages resulting from Graco supplying equipment hereunder, or the furnishing, performance, or use of any products or other goods sold hereto, whether due to a breach of contract, breach of warranty, the negligence of Graco, or otherwise.

## **FOR GRACO CANADA CUSTOMERS**

The Parties acknowledge that they have required that the present document, as well as all documents, notices and legal proceedings entered into, given or instituted pursuant hereto or relating directly or indirectly hereto, be drawn up in English. Les parties reconnaissent avoir convenu que la rédaction du présente document sera en Anglais, ainsi que tous documents, avis et procédures judiciaires exécutés, donnés ou intentés, à la suite de ou en rapport, directement ou indirectement, avec les procédures concernées.

# Graco Information

For the latest information about Graco products, visit [www.graco.com](http://www.graco.com).

**TO PLACE AN ORDER**, contact your Graco distributor or call to identify the nearest distributor.

**Phone:** 612-623-6921 **or Toll Free:** 1-800-328-0211 **Fax:** 612-378-3505

*All written and visual data contained in this document reflects the latest product information available at the time of publication.  
Graco reserves the right to make changes at any time without notice.*

*For patent information, see [www.graco.com/patents](http://www.graco.com/patents).*

Original instructions. This manual contains English. MM 309963

**Graco Headquarters:** Minneapolis  
**International Offices:** Belgium, China, Japan, Korea

**GRACO INC. AND SUBSIDIARIES • P.O. BOX 1441 • MINNEAPOLIS MN 55440-1441 • USA**

Copyright 2008, Graco Inc. All Graco manufacturing locations are registered to ISO 9001.

[www.graco.com](http://www.graco.com)

Revised December 2013